

Canon

ATI-BC-002

MODEL: iR 1210/1230/1270F

SUBJECT: Toner Replacement Procedure

Detail:

The toner replacement procedure indicated on the toner supply cover and the toner box may, if followed literally, lead to confusion on the customers' part.

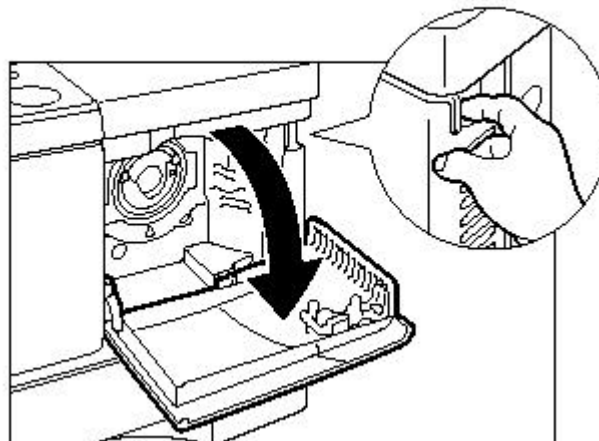
To avoid any confusion please follow the procedure below and make your customers aware at installation that this procedure can be found in their user manual.

This section describes how to remove the used toner cartridge and replace it with a new one.

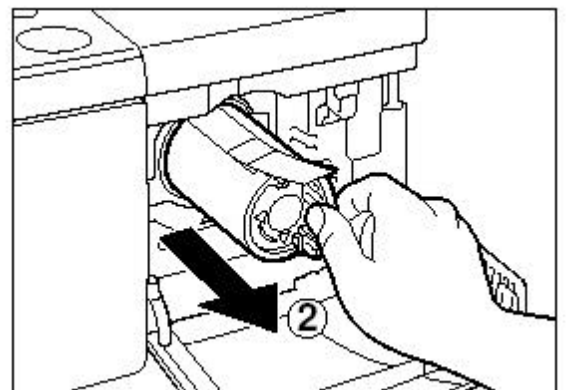
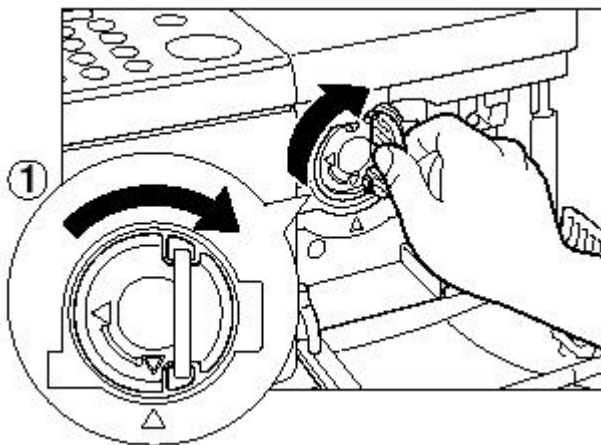
<Procedure>

When TONER LEVEL LOW or TONER EMPTY appears in the LCD, replace the toner cartridge.

Open the toner supply cover.



Pull the toner cartridge lever towards you. Holding the lever, turn it clockwise so that the ▽ mark on the toner cartridge aligns with the △ mark on the machine ①. Holding the toner cartridge lever, keep the toner cartridge level and pull it out slowly from the machine ②.

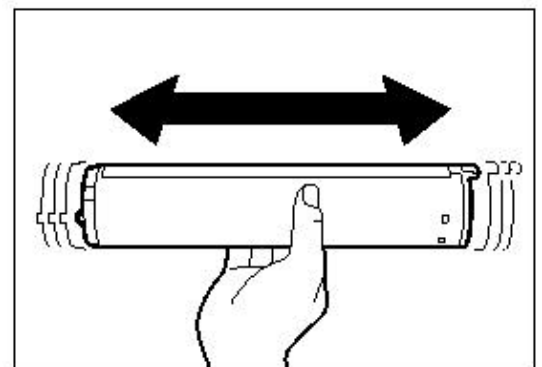


When you remove the toner cartridge from the machine, handle it carefully.

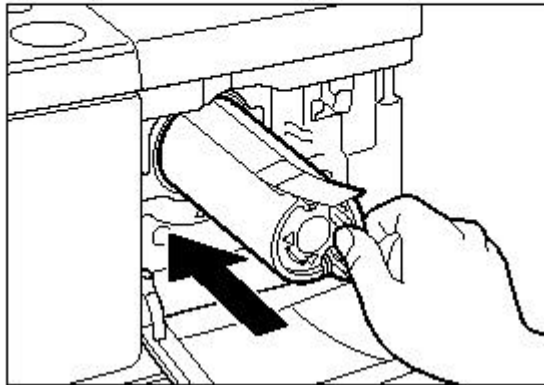
CAUTION

PLEASE DISPOSE OF THE USED TONER CARTRIDGE **WITHOUT** ROCKING it.

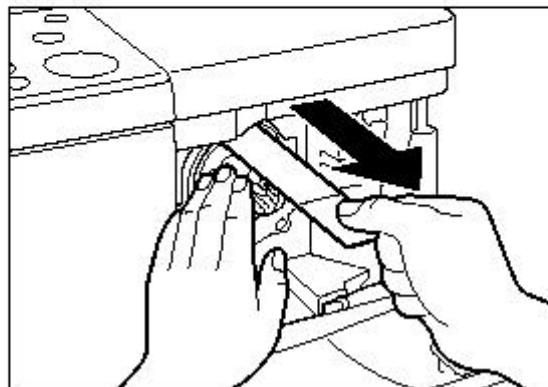
Unpack and rock the **NEW** toner cartridge 5 or 6 times to distribute the toner evenly.



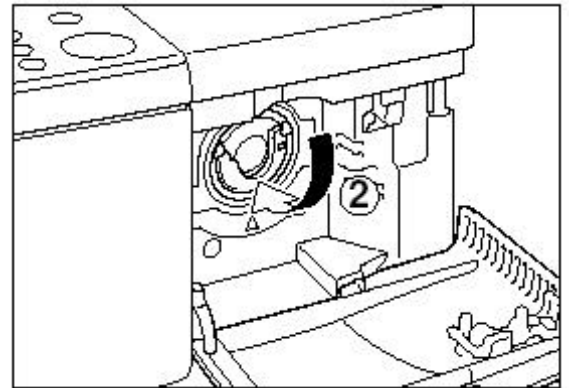
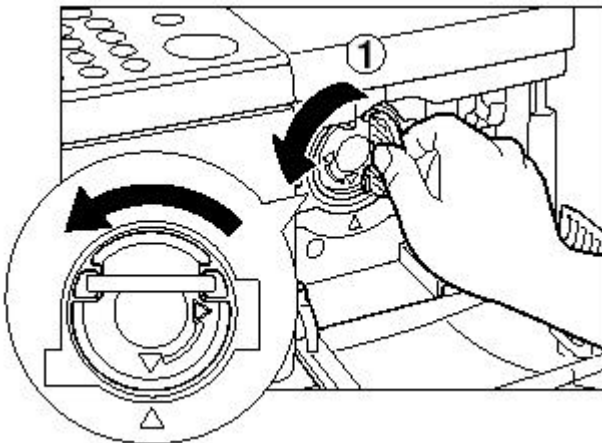
Holding the toner cartridge lever, keep the toner cartridge level and insert it slowly as far as it goes into the machine.



Holding the toner cartridge lever with one hand, firmly and slowly pull the sealing tape tab with the other hand to remove the sealing tape completely. Throw the tape away.



Holding the toner cartridge lever, turn it counterclockwise so that the ▽ mark on the toner cartridge aligns with the △ mark on the machine ①. Close the toner cartridge lever ②.



Close the toner supply cover.

